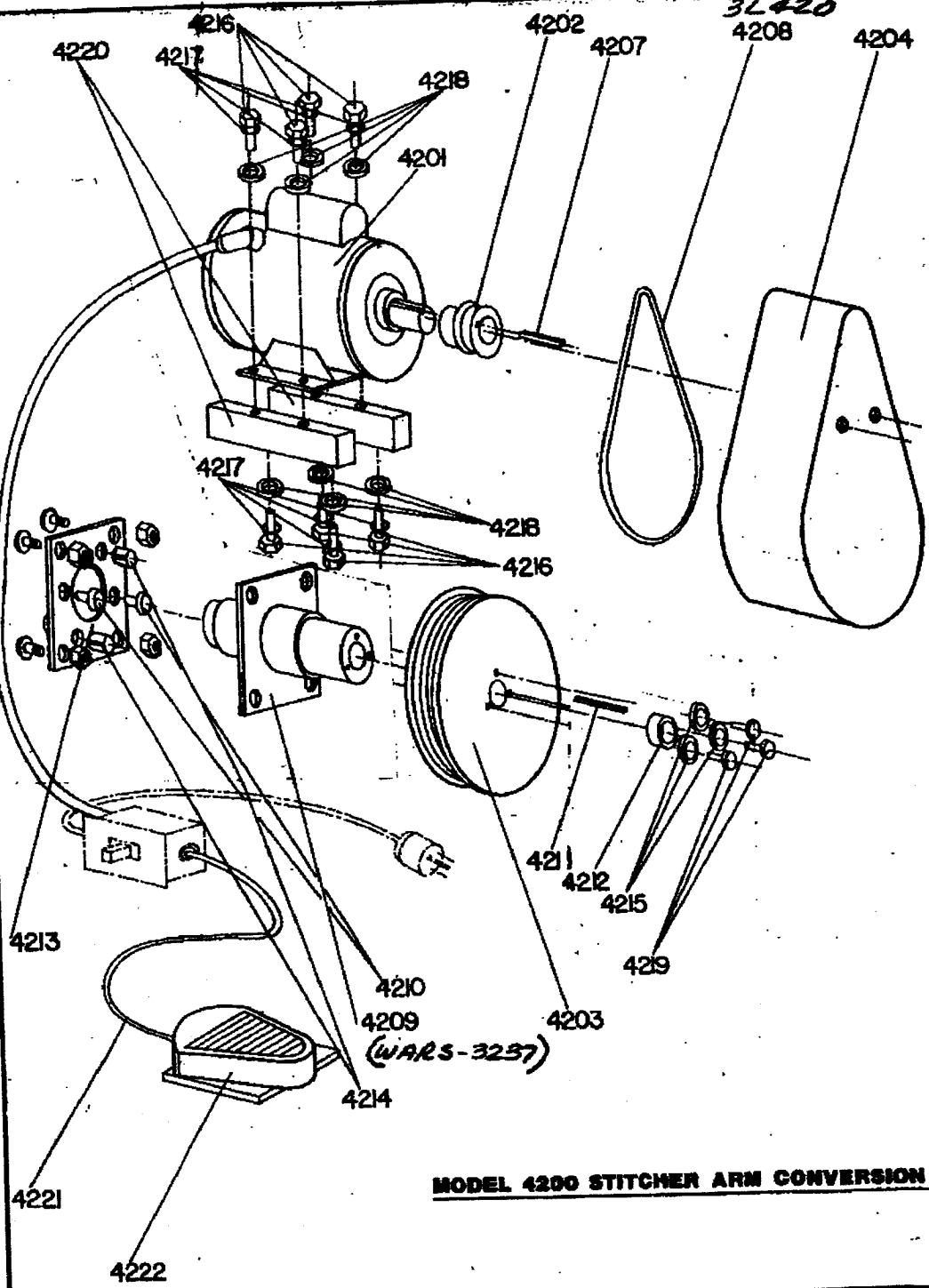


2.5 x 5/8

3L420



MODEL 4200 STITCHER ARM CONVERSION UNIT

MODEL 4200 STITCHER CONVERSION		
DATE: 6/27/86	APPROVED BY:	CHIEF OF RBS
CRITTENDEN CONVERSION CORP.		OFFICE:
ISOMETRIC FOR PARTS LIST		0-4200-2