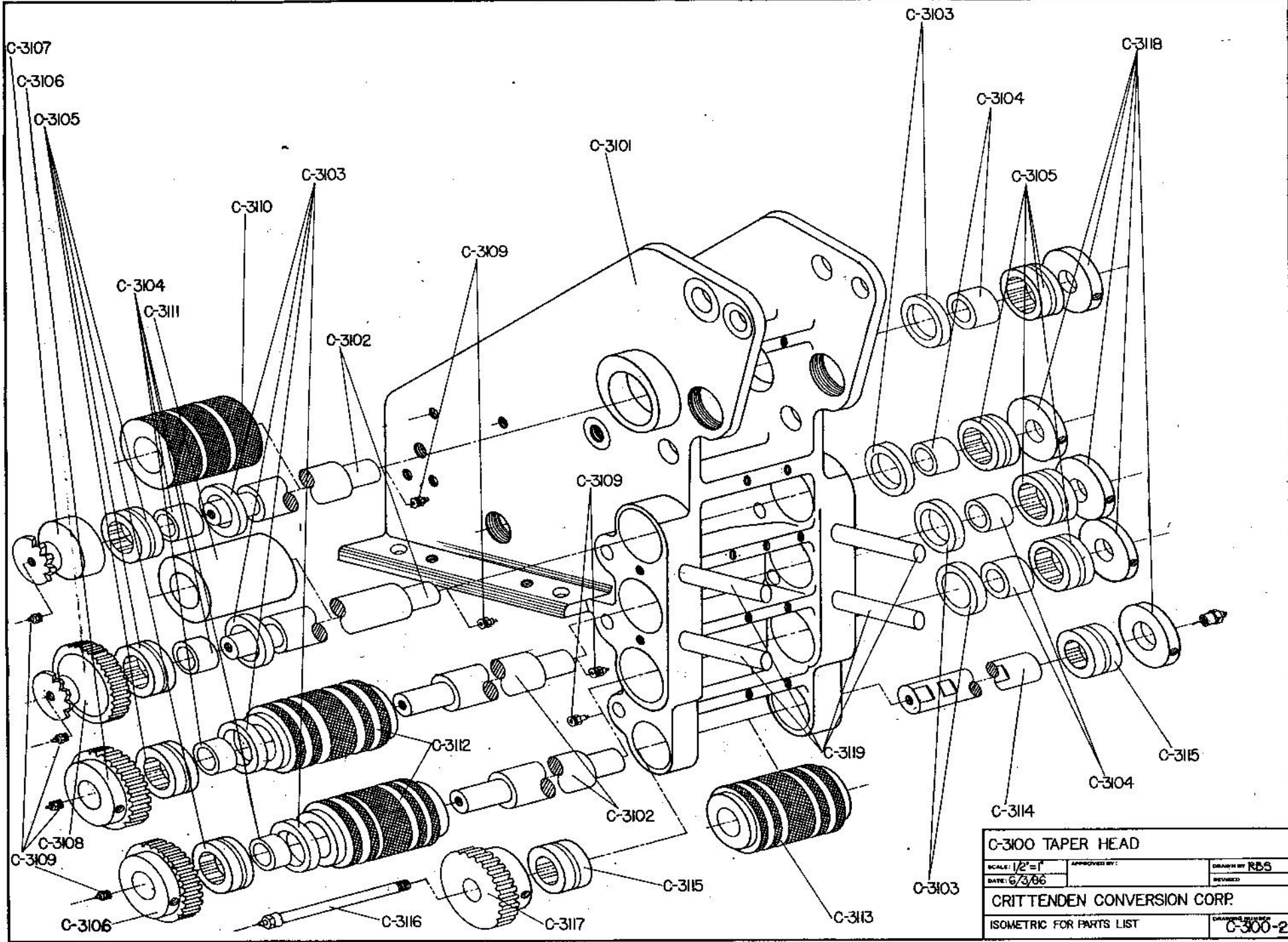
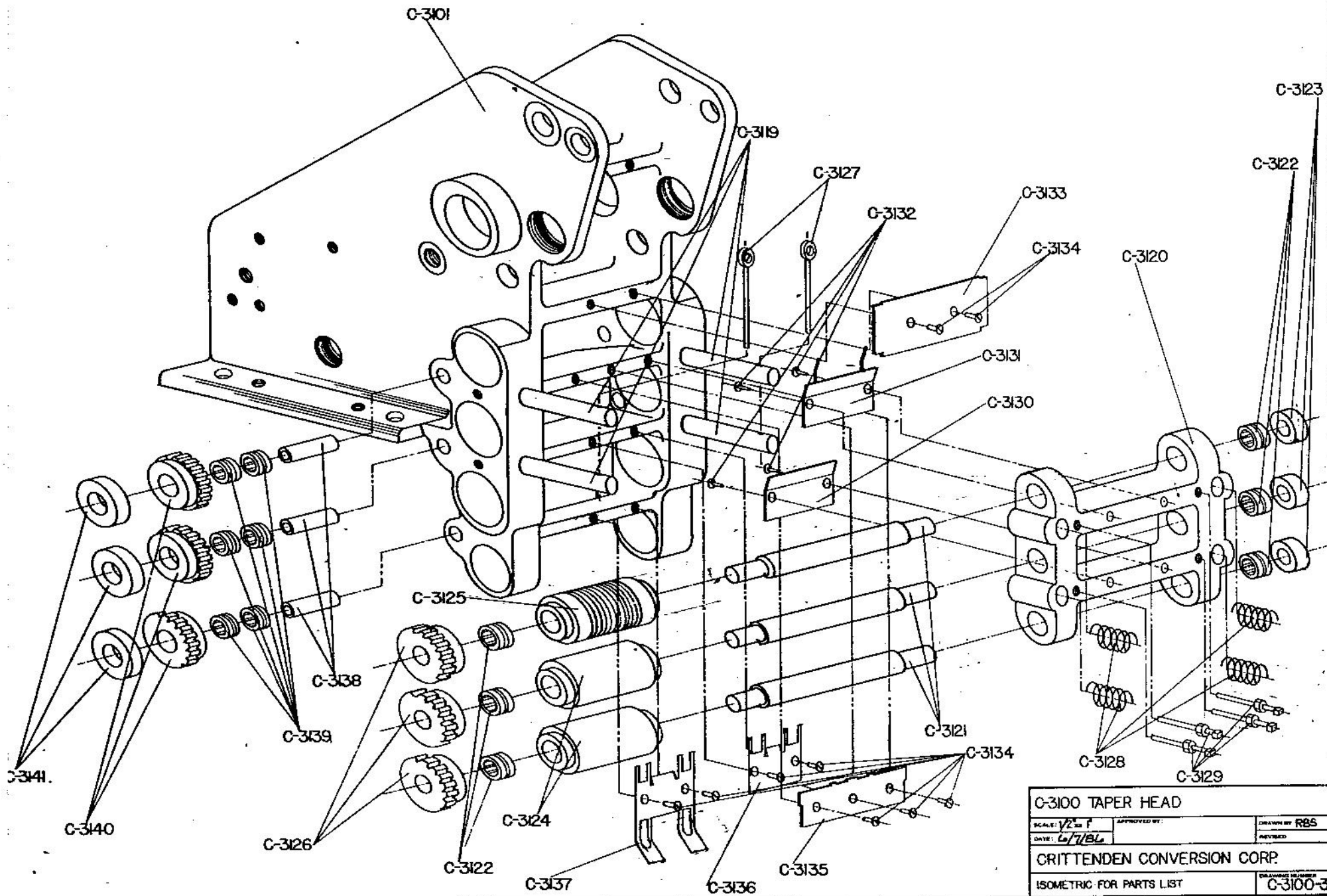


MODEL C-3100 TAPER HEAD

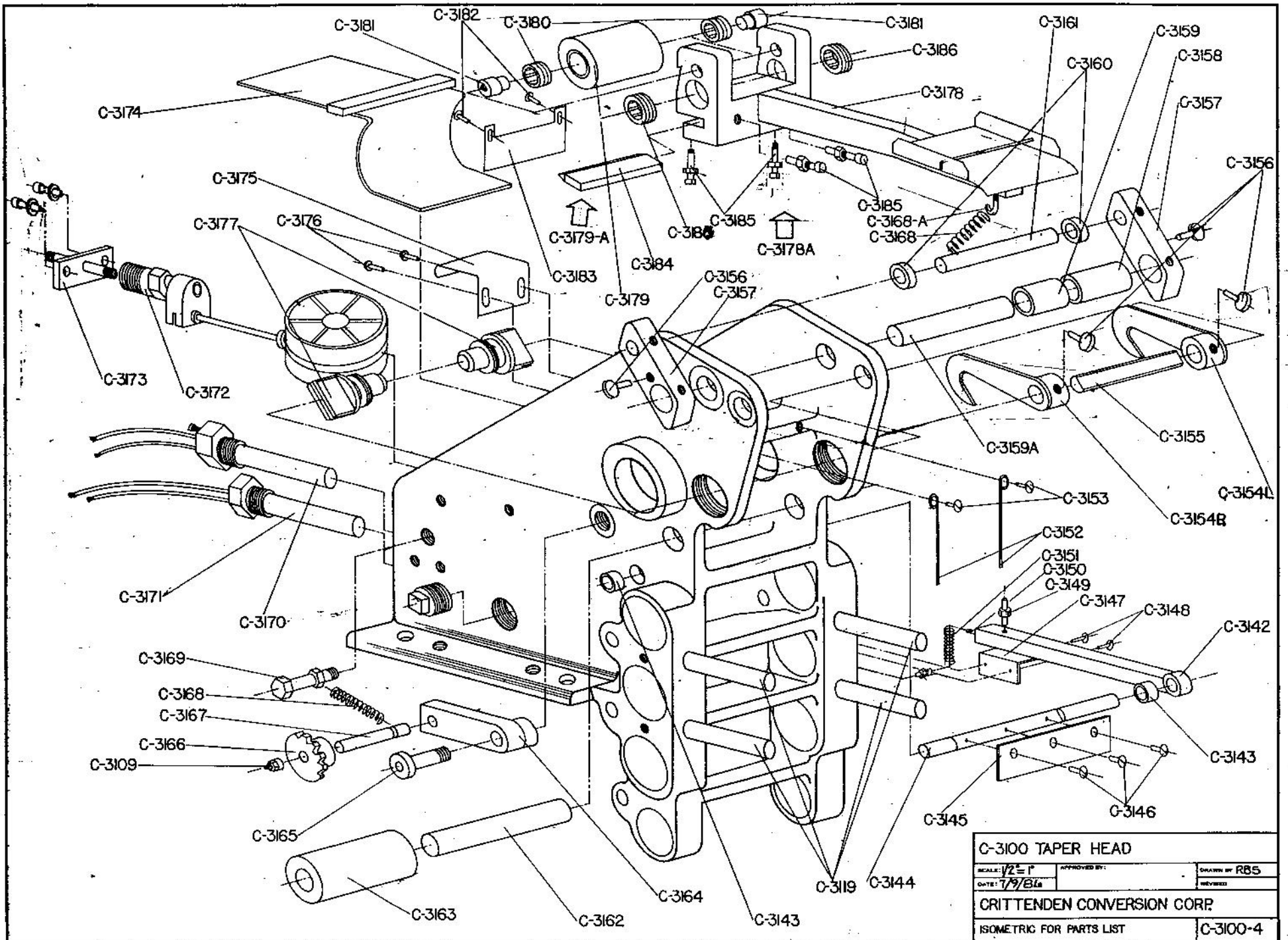
MODEL C-3100 TAPER HEAD		
SCALE: 1/8" = 1"	APPROVED BY:	DRAWN BY: RBS
DATE: 7/15/86		REVIEW:
CRITTENDEN CONVERSION CORP.		
ISOMETRIC FOR SALES BROCHURE		C-3100-1



C-300 TAPER HEAD		
SCALE: 1/2"=1"	APPROVED BY:	DRAWN BY: RDS
DATE: 6/3/66		REVISED:
CRITTENDEN CONVERSION CORP.		
ISOMETRIC FOR PARTS LIST		C-300-2



C-3100 TAPER HEAD		
SCALE: 1/2" = 1"	APPROVED BY:	DRAWN BY: RBS
DATE: 6/7/84		REVISED:
CRITTENDEN CONVERSION CORP.		
ISOMETRIC FOR PARTS LIST		DRAWING NUMBER: C-3100-3



C-3100 TAPER HEAD		
SCALE: $\frac{1}{2} = 1"$	APPROVED BY:	DRAWN BY RB5
DATE: 7/9/84		REVISED:
CRITTENDEN CONVERSION CORP.		
ISOMETRIC FOR PARTS LIST		C-3100-4